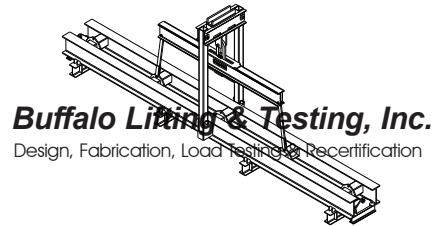


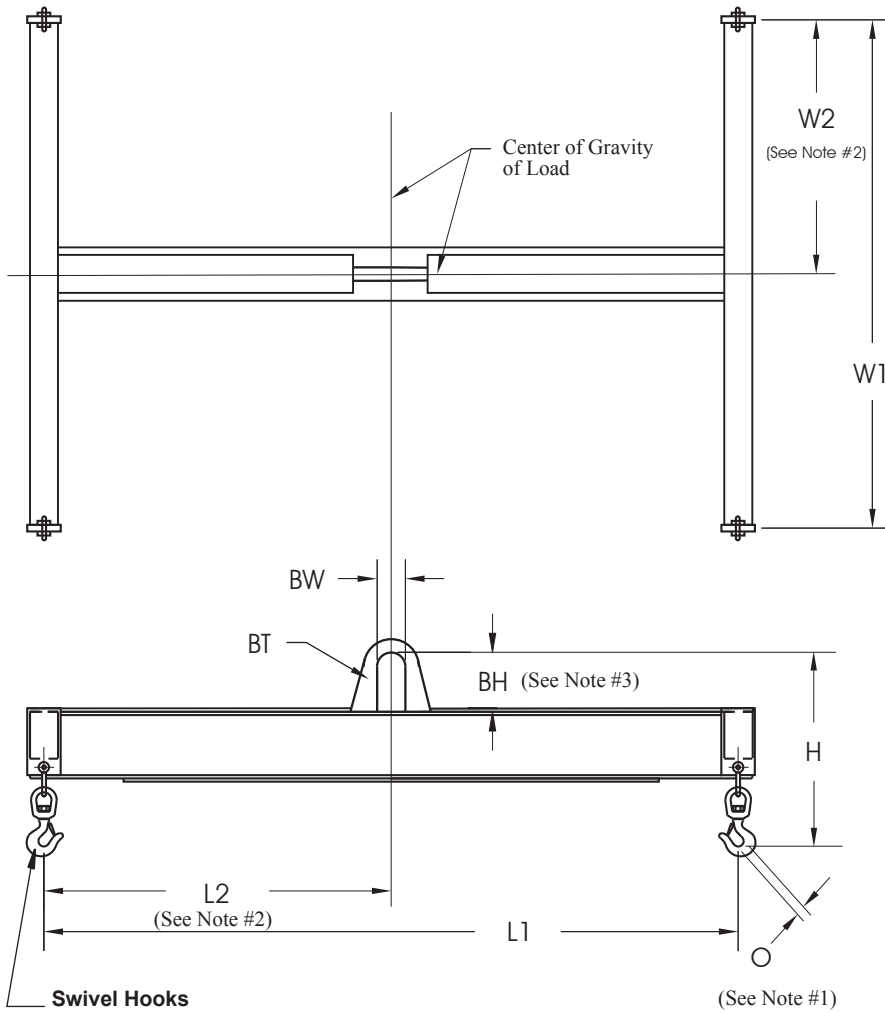
Company Name: _____
 Address: _____
 City: _____ State: _____ Zip: _____
 Phone: _____ Fax: _____
 Date: _____ Contact: _____



Phone: (877) 232-6748
 www.buffalolifting.com

Fax: (716) 672-8507
 e-mail: blt@buffalolifting.com

4-POINT LIFTING BEAM QUOTE SHEET



CAPACITY: _____ LBS.

- L1 _____ OVERALL LENGTH
- L2 _____ DISTANCE TO BAIL
- W1 _____ OVERALL WIDTH
- W2 _____ DISTANCE TO BAIL
- BT _____ BAIL THICKNESS
- BW _____ BAIL WIDTH
- BH _____ BAIL HEIGHT
- H _____ TOTAL HEIGHT
- O _____ MAXIMUM STOCK DIA.

- Notes:**
1. Maximum stock diameter is the size of material that will fit into the swivel hook opening.
 2. The center of gravity of the load must be centered under the lifting bail.
 3. Please verify that the crane hook will fit the lifting bail size.

Additional Specifications:

Buffalo Lifting & Testing, Inc.
 69 Orchard Street
 Fredonia, New York 14063