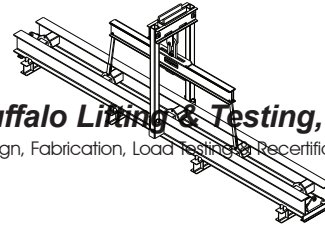


Company Name: _____
 Address: _____
 City: _____ State: _____ Zip: _____
 Phone: _____ Fax: _____
 Date: _____ Contact: _____



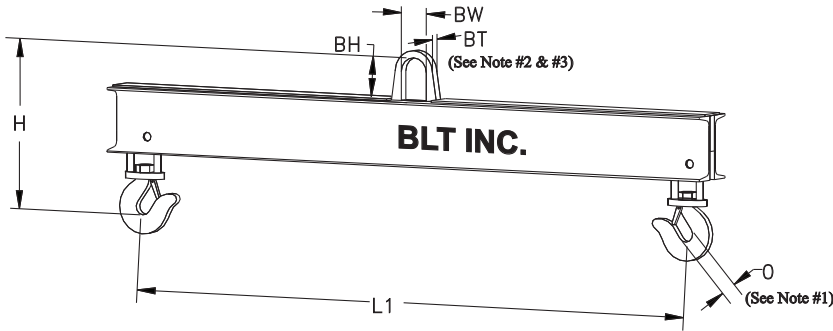
Buffalo Lifting & Testing, Inc.

Design, Fabrication, Load Testing, Recertification

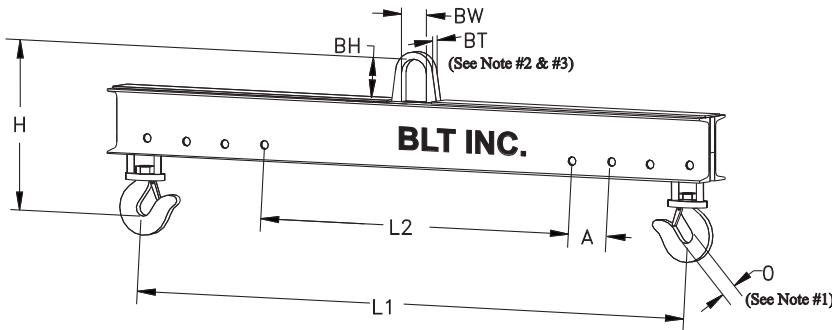
Phone: (877) 232-6748
 www.buffalolifting.com

Fax: (716) 672-8507
 e-mail: blt@buffalolifting.com

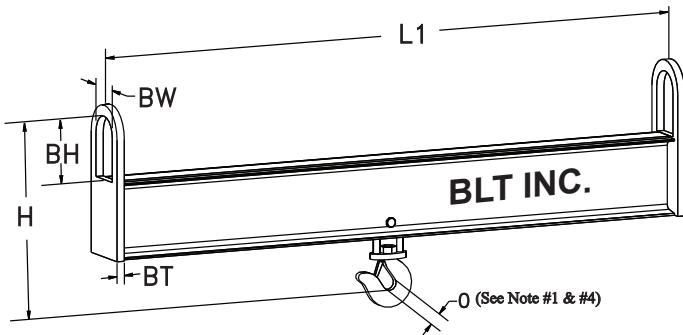
LIFTING BEAM QUOTE SHEET



FIXED HOOK BEAM



ADJUSTABLE HOOK BEAM



TWIN BAIL BEAM

- FIXED HOOK BEAM
- ADJUSTABLE HOOK BEAM
- TWIN BAIL BEAM

CAPACITY: _____ LBS.

L1	_____	MAXIMUM BETW. HOOKS
L2	_____	MINIMUM BETW. HOOKS
A	_____	DISTANCE BETW. HOLES
BT	_____	BAIL THICKNESS
BW	_____	BAIL WIDTH
BH	_____	BAIL HEIGHT
H	_____	TOTAL HEIGHT
O	_____	MAXIMUM STOCK DIA.

- Notes:**
1. Maximum stock diameter is the size of material that will fit into the swivel hook opening.
 2. The center of gravity of the load must be centered under the lifting bail.
 3. Please verify that the crane hook will fit the lifting bail size.
 4. Standard swivel hook optional.

Additional Specifications:

