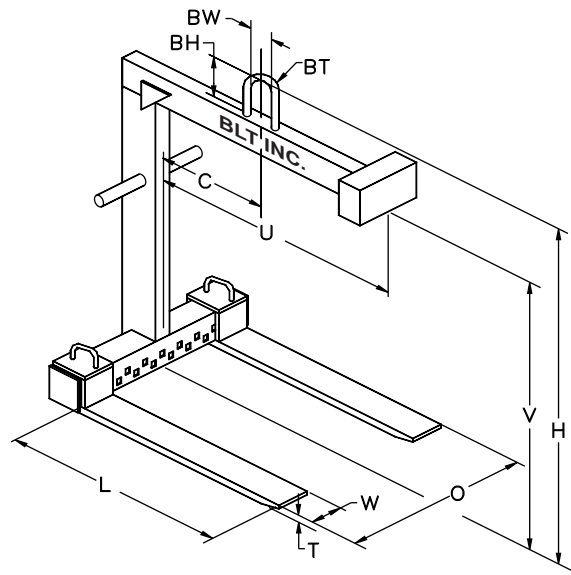


Adjustable Crane Fork

- The Adjustable Crane Fork converts an overhead crane into a maintenance-free low cost fork lift truck that can handle various widths.
- External weld reinforcing plates add strength at critical stress areas.
- The Adjustable Crane Fork is counterbalanced to hang level for easy insertion under the load.
- All lifters are proof tested to meet or exceed ANSI/ASME B30.20 standards and test certificate issued. Painted safety yellow and clearly marked on both sides with rated capacity to conform to OSHA standards.



Model Number	Pounds Capacity (See Note #4)	Max. Load Length (See Note #1)	Vertical Clear V	Dist. To Center of Gravity C	Fork Length L	Fork Size		Outside Width O		Upper Arm Length U	Ball Size (See Note #2 & #3)			Total Height H	Pounds Approx. Lifter Weight
						T	W	Min.	Max.		BT	BW	BH		
						Inches (See Note #5)									
BLT013048-ACF	1000	30	48	15	30	1 x 4	14	36	30	3/4 x 2 x 4	55	218			
BLT013648-ACF		36		18	36	1-1/4 x 4	14	36	36						
BLT014248-ACF		42		21	42	1-1/4 x 4	14	36	42						
BLT014848-ACF		48		24	48	1-1/4 x 4	15	36	48						
BLT023048-ACF	2000	30	48	15	30	1-1/2 x 4	15	36	30	3/4 x 2 x 4	56	317			
BLT023648-ACF		36		18	36	1-1/2 x 4	15	36	36						
BLT024248-ACF		42		21	42	1-3/4 x 4	15	36	42						
BLT024848-ACF		48		24	48	1-3/4 x 4	15	36	48						
BLT033648-ACF	3000	36	48	18	36	1-1/4 x 4	15	38	36	1 x 2 x 4	58	419			
BLT034248-ACF		42		21	42	1-1/2 x 4	15	38	42						
BLT034848-ACF		48		24	48	1-1/2 x 4	15	38	48						
BLT043648-ACF	4000	36	48	18	36	1-1/2 x 4	15	38	36	1 x 2 x 4	58	475			
BLT044248-ACF		42		21	42	1-1/2 x 4	17	38	42						
BLT044848-ACF		48		24	48	1-3/4 x 4	17	38	48						
BLT063648-ACF	6000	36	48	18	36	1-3/4 x 4	17	38	36	(3/4x1) x 2 x 6	62-1/4	629			
BLT064248-ACF		42		21	42	2 x 4	17	38	42						
BLT064848-ACF		48		24	48	2 x 4	17	38	48						
BLT066060-ACF		60	60	60	30	60	2 x 5	20	42		60	74-1/4	1057		
BLT084248-ACF	8000	42	48	21	42	2 x 5	20	42	42	(1x1-1/4) x 3 x 6	62-1/4	871			
BLT084848-ACF		48		24	48	2-1/4 x 5	20	42	48						
BLT086060-ACF		60	60	30	60	2-1/4 x 5	20	48	60		74-1/4	1228			
BLT087272-ACF		72	72	36	72	2-1/2 x 5	21	48	72		88-1/4	1589			
BLT104848-ACF	10000	48	48	24	48	2-1/4 x 5	20	42	48	(1-1/4x1-1/2) x 4 x 10	70-1/4	1080			
BLT106060-ACF		60	60	30	60	2-1/2 x 6	22	48	60		80-1/4	1473			
BLT107272-ACF		72	72	36	72	2-3/4 x 6	26	48	72		92-1/4	1945			
BLT154848-ACF	15000	48	48	24	48	2-3/4 x 5	24	48	48	(1-1/2x1-1/2) x 4 x 10	70-1/4	1339			
BLT156060-ACF		60	60	30	60	2-3/4x6-1/2	26	48	60		82-1/4	1907			
BLT157272-ACF		72	72	36	72	3 x 7	28	54	72		94-1/4	2416			
BLT204848-ACF	20000	48	48	24	48	3 x 6	26	48	48	(1-1/2x1-3/4) x 4 x 10	70-1/4	1751			
BLT206060-ACF		60	60	30	60	3 x 8	30	48	60		82-1/4	2618			
BLT207272-ACF		72	72	36	72	3 x 9	33	54	72		96-1/4	3178			
BLT307272-ACF	30000	72	72	36	72	3-3/4 x 9	33	54	72	(2x2-1/4) x 6 x 14	100-1/4	4092			
BLT407272-ACF	40000	72	72	36	72	4 x 10	36	54	72	(2x2-3/4) x 6 x 14	100-1/4	4843			
BLT507272-ACF	50000	72	72	36	72	4 x 12	45	60	72	(2-1/2x2-3/4) x 6 x 18	104-1/4	6378			

- NOTES:
1. Maximum load length is equal to fork length.
 2. All adjustable crane fork loads must be centered under the lifting bail.
 3. Please verify that the crane hook will fit the lifting bail size.
 4. Other capacities and lengths are available upon request.
 5. Above dimensions and weights are approximate and may vary based on design.