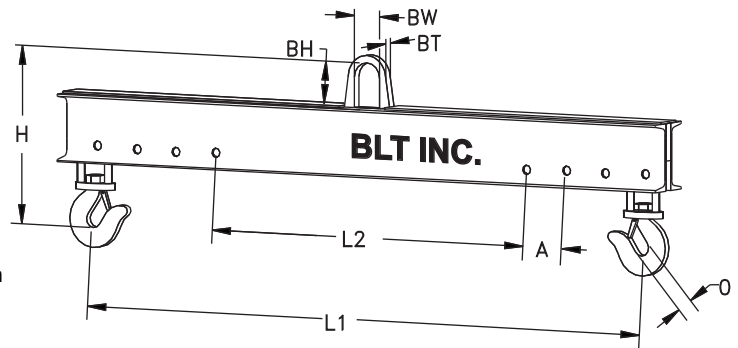


# Adjustable Hook Beam

• The Adjustable Hook Lifting Beam is an ideal solution for lifting off center loads or varying load lengths where headroom is critical.

• Box design adds strength to the beam laterally in case of sideward movement caused by shifting of the load.

• All lifters are proof tested to meet or exceed ANSI/ASME B30.20 standards and test certificate issued. Painted safety yellow and clearly marked on both sides with rated capacity to conform to OSHA standards.



Model Number	Pounds	Inches (See Note #5)						Pounds		
	Capacity (See Note #1)	Length L1	Min. Dist. Between Hooks L2	Total Height H	Hook Adjustment A	Ball Size (See Note #2 & #3)			Max Stock Diameter (See Note #4) O	Approx. Lifter Weight
						BT	BW	BH		
BLT013612-AHB	1000	36	12	11-1/4	4	3/4 X 2 X 4	7/8	39		
BLT016024-AHB		60	24	11-1/4	6			61		
BLT017236-AHB		72	36	11-1/4	6			74		
BLT019648-AHB		96	48	11-1/4	8			95		
BLT0112048-AHB		120	48	11-1/4	12			114		
BLT023612-AHB	2000	36	12	11-1/4	4	3/4 X 2 X 4	7/8	39		
BLT026024-AHB		60	24	11-1/4	6			61		
BLT027236-AHB		72	36	11-1/4	6			74		
BLT029648-AHB		96	48	11-1/4	8			117		
BLT0212048-AHB		120	48	11-1/4	12			148		
BLT044824-AHB	4000	48	24	12-1/4	4	1 X 2 X 4	7/8	64		
BLT047236-AHB		72	36	12-1/4	6			99		
BLT049648-AHB		96	48	13-1/4	8			152		
BLT0412048-AHB		120	48	13-1/4	12			198		
BLT064824-AHB	6000	48	24	15-1/4	4	(3/4 X 1) X 2 X 6	1-1/16	77		
BLT067236-AHB		72	36	16-1/4	6			132		
BLT069648-AHB		96	48	17-1/4	8			194		
BLT0612048-AHB		120	48	18-1/4	12			268		
BLT086036-AHB	8000	60	24	16-1/4	6	(1X1-1/4) X 3 X 6	1-1/16	120		
BLT089648-AHB		96	48	18-1/4	8			229		
BLT0812048-AHB		120	48	20	12		1-5/16	318		
BLT0814472-AHB		144	72	21	12			426		
BLT109648-AHB	10000	96	48	23	8	(1-1/4X1-1/2) X 4 X 10	1-5/16	258		
BLT1012048-AHB		120	48	24	12			345		
BLT1018072-AHB		180	72	26	18			610		
BLT10240132-AHB		240	132	28	18			1020		
BLT159648-AHB	15000	96	48	27-3/4	8	(1-1/2X1-1/2) X 4 X 10	1-9/16	375		
BLT1512048-AHB		120	48	27-3/4	12			454		
BLT1518072-AHB		180	72	29-3/4	18			830		
BLT15240132-AHB		240	132	32-3/4	18			1580		
BLT209648-AHB	20000	96	48	27-3/4	8	(1-1/2X1-3/4) X 4 X 10	1-9/16	397		
BLT2012048-AHB		120	48	31-1/4	12		2-1/16	579		
BLT2018072-AHB		180	72	34-1/4	18			1238		
BLT20240132-AHB		240	132	34-1/4	18			1656		
BLT4012048-AHB	40000	120	48	38-1/2	12	(2 X 2-3/4) X 6 X 14	2-1/4	1030		
BLT4018072-AHB		180	72	41-3/4	18			1735		
BLT40240132-AHB		240	132	41-3/4	18			2895		
BLT6012048-AHB	60000	120	48	49-1/4	12	(2-1/2 X 3) X 6 X 18	3	1418		
BLT6018072-AHB		180	72	49-1/4	18			2488		
BLT60240132-AHB		240	132	49-1/4	18			3534		

- NOTES:
1. Other capacities and lengths available upon request.
  2. All loads must be centered under the lifting bail.
  3. Please verify that crane hook will fit lifting ball size.
  4. Maximum stock diameter refers to the size of the material that will fit into the swivel hook opening.
  5. Above dimensions and weights are approximate and may vary based on design.