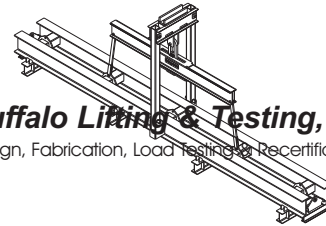


Company Name: _____
 Address: _____
 City: _____ State: _____ Zip: _____
 Phone: _____ Fax: _____
 Date: _____ Contact: _____



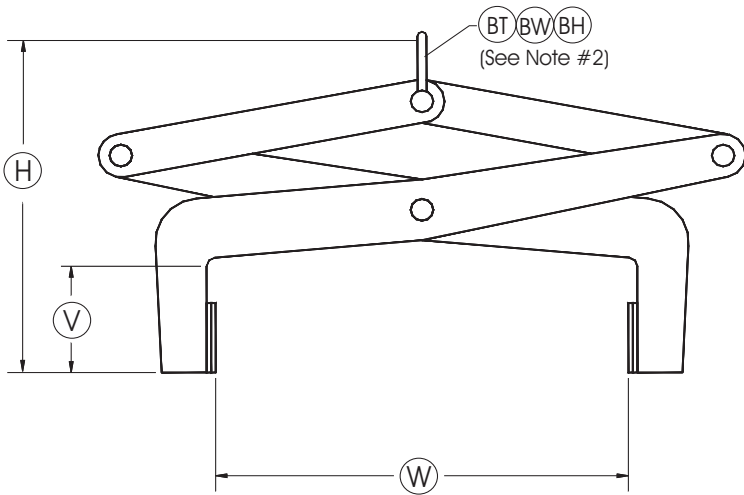
Buffalo Lifting & Testing, Inc.

Design, Fabrication, Load Testing & Recertification

Phone: (877) 232-6748
 www.buffalolifting.com

Fax: (716) 672-8507
 e-mail: blt@buffalolifting.com

CUSTOM PRESSURE TONGS



PRESSURE STYLE TONG

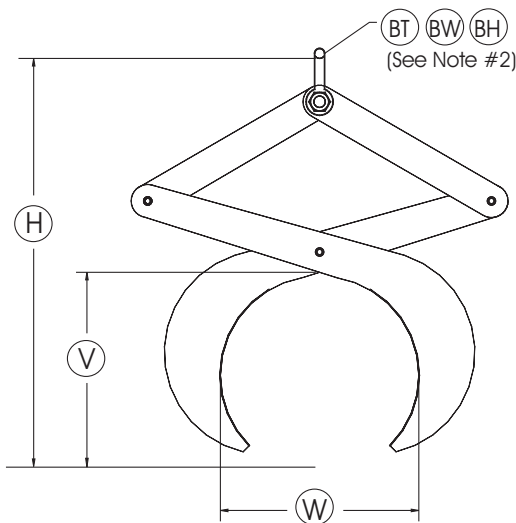
GRIPPING STYLE TONG

Capacity: _____ LBS.

- V _____ VERTICAL CLEARANCE
- W _____ MAX. / MIN. BUNDLE WIDTH
- H _____ TOTAL HEIGHT
- BT _____ BAIL THICKNESS
- BW _____ BAIL WIDTH
- BH _____ BAIL HEIGHT
- H _____ TOTAL HEIGHT

PRESSURE STYLE TONG

Uses the weight of the load to generate clamping pressure.



- Notes:**
1. All loads must be centered under the lifting bail.
 2. Please verify that the lifting bail size will suit crane hook.
 3. Options and accessories are available upon request.

Additional Specifications:

GRIPPER STYLE TONG

Grab arms fit the shape of the load to support it all around.