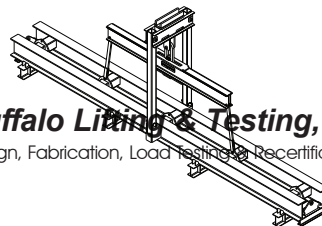


Company Name: \_\_\_\_\_  
 Address: \_\_\_\_\_  
 City: \_\_\_\_\_ State: \_\_\_\_\_ Zip: \_\_\_\_\_  
 Phone: \_\_\_\_\_ Fax: \_\_\_\_\_  
 Date: \_\_\_\_\_ Contact: \_\_\_\_\_



**Buffalo Lifting & Testing, Inc.**

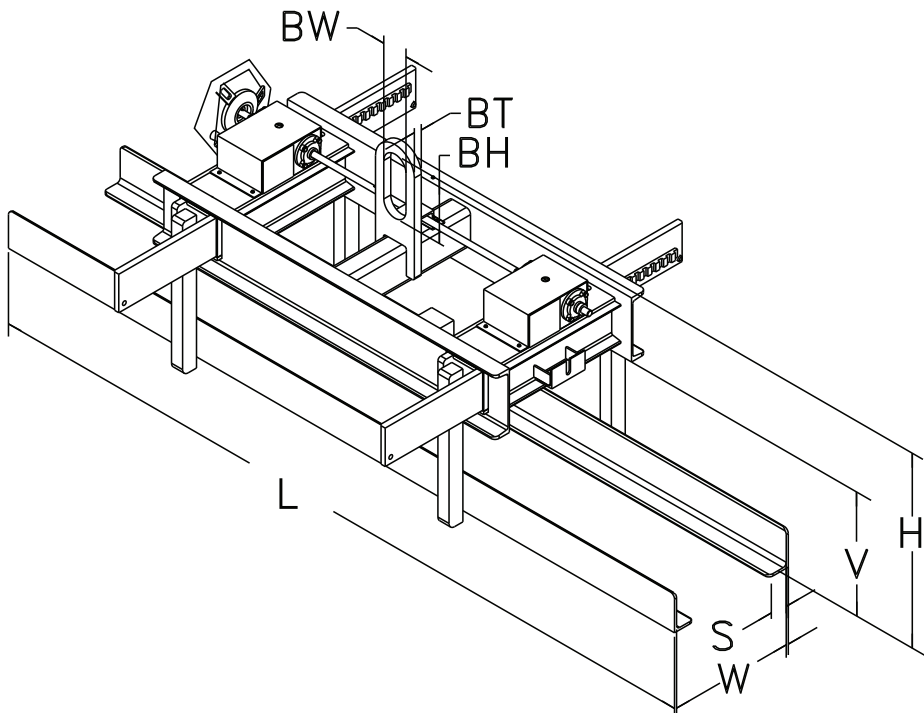
Design, Fabrication, Load Testing & Recertification

Phone: (877) 232-6748  
 www.buffalolifting.com

Fax: (716) 672-8507  
 e-mail: blt@buffalolifting.com

**TELESCOPING SHEET LIFTER QUOTE SHEET**

CAPACITY \_\_\_\_\_ LBS.



- V** \_\_\_\_\_ VERTICAL CLEARANCE
- S** \_\_\_\_\_ SUPPORT LENGTH
- W-max.** \_\_\_\_\_ MAXIMUM BUNDLE WIDTH
- W-min.** \_\_\_\_\_ MINIMUM BUNDLE WIDTH
- BT** \_\_\_\_\_ BAIL THICKNESS
- BW** \_\_\_\_\_ BAIL WIDTH
- BH** \_\_\_\_\_ BAIL HEIGHT
- H** \_\_\_\_\_ TOTAL HEIGHT
- L** \_\_\_\_\_ LENGTH OF CARRYING ANGLE

- Notes: 1. All loads must be centered under the lifting bail.  
 2. Please verify that the crane hook will fit the lifting bail size.  
 3. Modifications and other accessories are available upon request.

**Additional Specifications:**

\_\_\_\_\_  
 \_\_\_\_\_  
 \_\_\_\_\_  
 \_\_\_\_\_  
 \_\_\_\_\_  
 \_\_\_\_\_

**Buffalo Lifting & Testing, Inc.**  
 69 Orchard Street  
 Fredonia, New York 14063