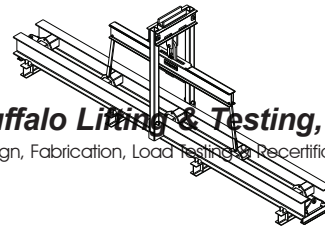


Company Name: _____
 Address: _____
 City: _____ State: _____ Zip: _____
 Phone: _____ Fax: _____
 Date: _____ Contact: _____



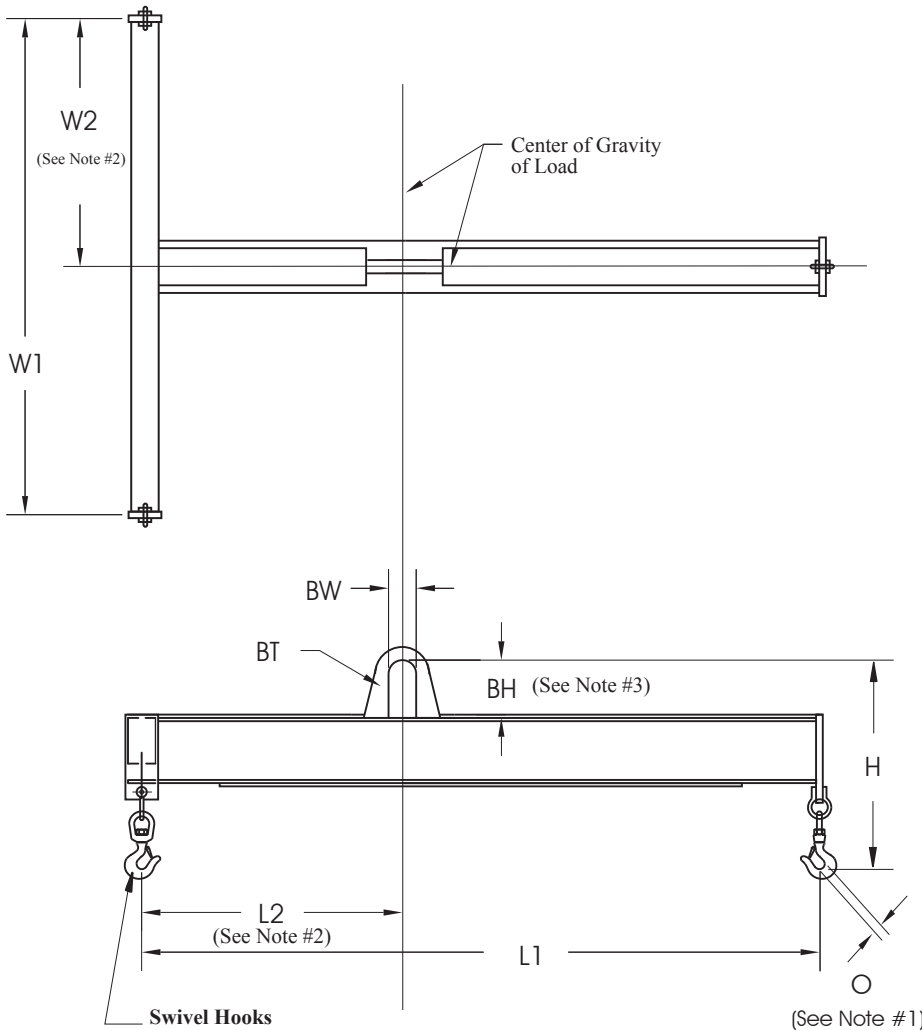
Buffalo Lifting & Testing, Inc.

Design, Fabrication, Load Testing, Recertification

Phone: (877) 232-6748
 www.buffalolifting.com

Fax: (716) 672-8507
 e-mail: blt@buffalolifting.com

3-POINT LIFTING BEAM QUOTE SHEET



CAPACITY: _____ LBS.

L1	OVERALL LENGTH
L2	DISTANCE TO BAIL
W1	OVERALL WIDTH
W2	DISTANCE TO BAIL
BT	BAIL THICKNESS
BW	BAIL WIDTH
BH	BAIL HEIGHT
H	TOTAL HEIGHT
O	MAXIMUM STOCK DIA.

- Notes:**
1. Maximum stock diameter is the size of material that will fit into the swivel hook opening.
 2. The center of gravity of the load must be centered under the lifting bail.
 3. Please verify that the crane hook will fit the lifting bail size.

Additional Specifications:

Buffalo Lifting & Testing, Inc.
 69 Orchard Street
 Fredonia, New York 14063