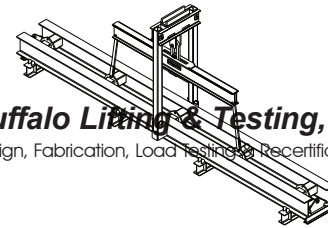


Company Name: \_\_\_\_\_  
 Address: \_\_\_\_\_  
 City: \_\_\_\_\_ State: \_\_\_\_\_ Zip: \_\_\_\_\_  
 Phone: \_\_\_\_\_ Fax: \_\_\_\_\_  
 Date: \_\_\_\_\_ Contact: \_\_\_\_\_



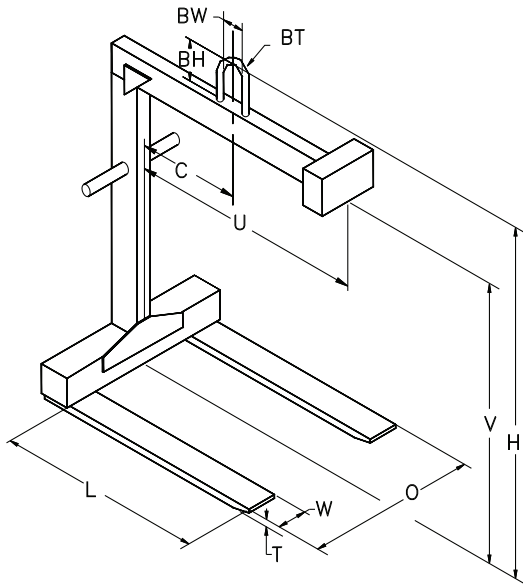
**Buffalo Lifting & Testing, Inc.**

Design, Fabrication, Load Testing, Recertification

Phone: (877) 232-6748  
 www.buffalolifting.com

Fax: (716) 672-8507  
 e-mail: blt@buffalolifting.com

# CRANE FORK QUOTE SHEET

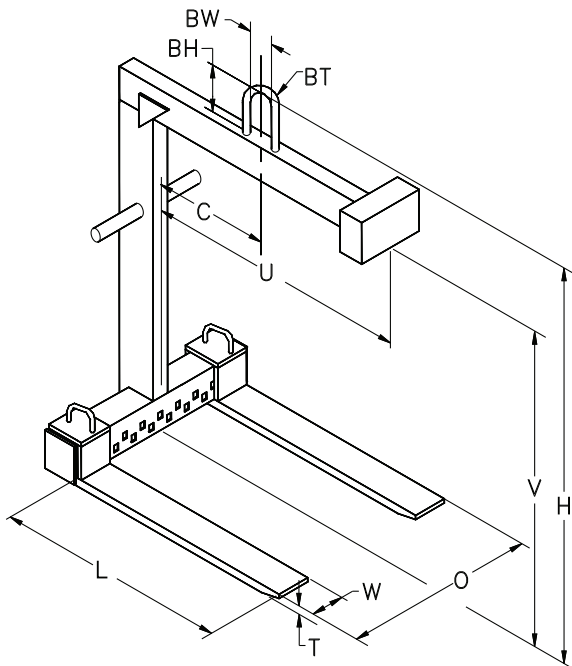


**FIXED CRANE FORK**  
 **ADJUSTABLE CRANE FORK**  
 CAPACITY: \_\_\_\_\_ LBS.

V \_\_\_\_\_ VERTICAL CLEARANCE  
 C \_\_\_\_\_ DIST. TO CENTER OF GRAVITY  
 U \_\_\_\_\_ UPPER ARM LENGTH  
 L \_\_\_\_\_ FORK LENGTH  
 T \_\_\_\_\_ FORK THICKNESS  
 W \_\_\_\_\_ FORK WIDTH  
 O \_\_\_\_\_ OUTSIDE WIDTH  
 BT \_\_\_\_\_ BAIL THICKNESS  
 BW \_\_\_\_\_ BAIL WIDTH  
 BH \_\_\_\_\_ BAIL HEIGHT  
 H \_\_\_\_\_ TOTAL HEIGHT

## FIXED CRANE FORK

(CONVERTS AN OVERHEAD CRANE INTO A LOW-MAINTENANCE FORK TRUCK)



## ADJUSTABLE CRANE FORK

(ADJUSTABLE FORKS ALLOW VARIOUS BUNDLE SIZES TO BE HANDLED)

- Notes:**
1. Maximum load length is equal to fork length..
  2. The center of gravity of the load must be centered under the lifting bail.
  3. Please verify that the crane hook will fit the lifting bail size.

### Additional Specifications:

\_\_\_\_\_  
 \_\_\_\_\_  
 \_\_\_\_\_  
 \_\_\_\_\_