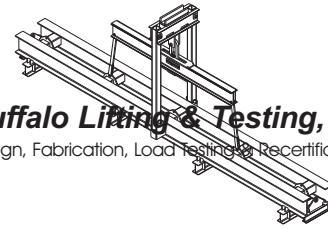


Company Name: _____
 Address: _____
 City: _____ State: _____ Zip: _____
 Phone: _____ Fax: _____
 Date: _____ Contact: _____



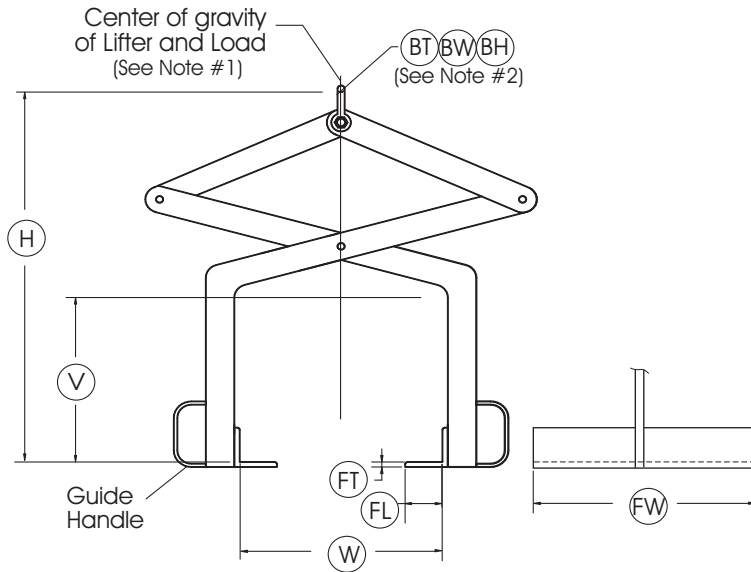
Buffalo Lifting & Testing, Inc.

Design, Fabrication, Load Testing & Recertification

Phone: (877) 232-6748
 www.buffalolifting.com

Fax: (716) 672-8507
 e-mail: bit@buffalolifting.com

CUSTOM SUPPORT TONGS



- SUPPORT STYLE TONG
- ADJUSTABLE SUPPORT TONG

Capacity: _____ LBS.

V _____ VERTICAL CLEARANCE

W _____ MAX. / MIN. BUNDLE WIDTH

H _____ TOTAL HEIGHT

BT _____ BAIL THICKNESS

BW _____ BAIL WIDTH

BH _____ BAIL HEIGHT

FW _____ FOOT WIDTH

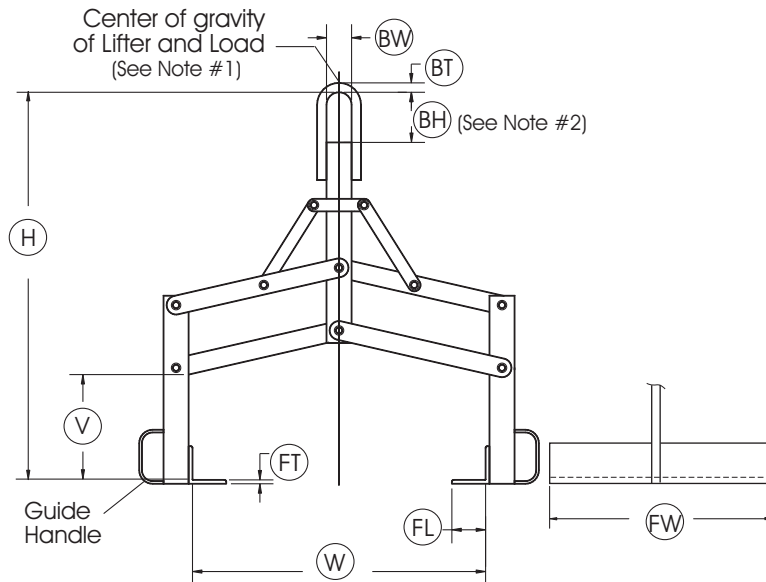
FL _____ FOOT LENGTH

FT _____ FOOT THICKNESS

H _____ TOTAL HEIGHT

SUPPORTING STYLE TONG

Feet hold load by providing support underneath the load.



- Notes:**
1. All loads must be centered under the lifting bail.
 2. Please verify that the crane hook will fit the lifting bail size.
 3. Modifications and other accessories are available upon request

ADJUSTABLE SUPPORT TONG

Adjustable legs allow this model to accommodate various load sizes.

Additional Specifications:
