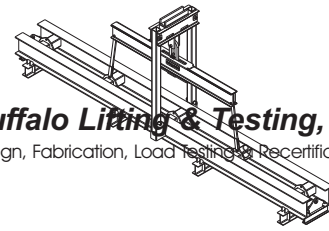


Company Name: _____
 Address: _____
 City: _____ State: _____ Zip: _____
 Phone: _____ Fax: _____
 Date: _____ Contact: _____



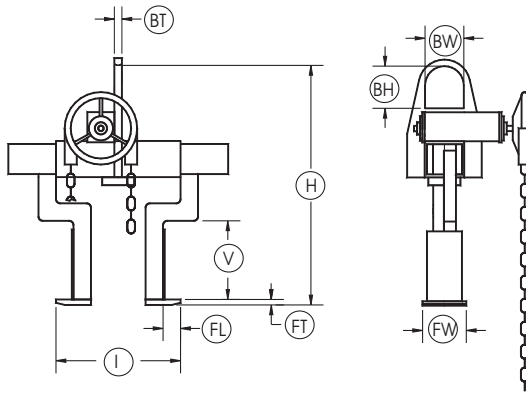
Buffalo Lifting & Testing, Inc.

Design, Fabrication, Load Testing & Recertification

Phone: (877) 232-6748
 www.buffalolifting.com

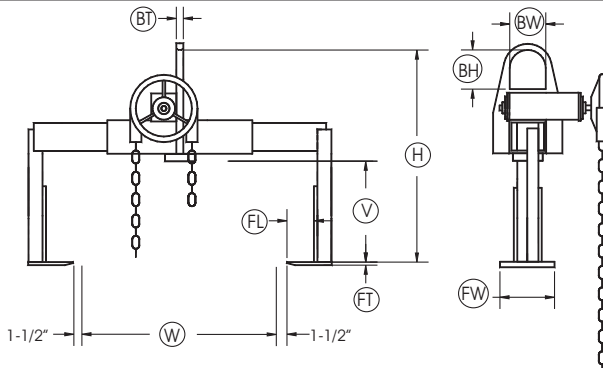
Fax: (716) 672-8507
 e-mail: blt@buffalolifting.com

TELESCOPING COIL LIFTERS QUOTE SHEET



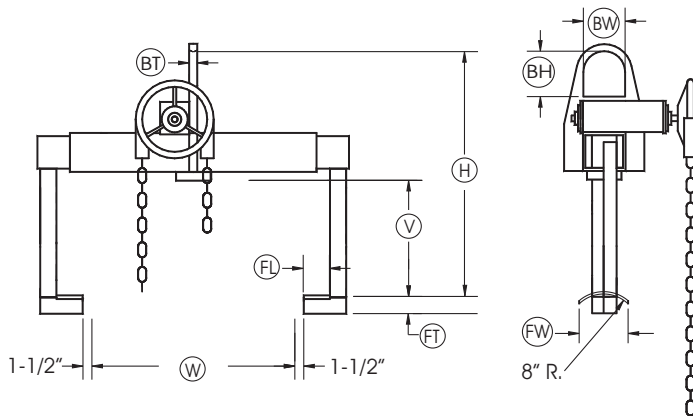
TELESCOPING VERTICAL I.D. LIFTER

Lifts coils in a vertical position with the legs through the I.D. of the coil.



TELESCOPING VERTICAL O.D. LIFTER

Lifts coils in a vertical position with the legs around the O.D. of the coil.



TELESCOPING HORIZONTAL COIL LIFTER

Lifts coils in a horizontal position with the feet supporting the I.D. of the coil.

- TELESCOPING VERTICAL I.D. LIFTER
- TELESCOPING VERTICAL O.D. LIFTER
- TELESCOPING HORIZONTAL COIL LIFTER

Capacity: _____ LBS.

V _____ VERTICAL CLEARANCE

W _____ MAX. / MIN. COIL WIDTH

I _____ MAX. / MIN. COIL I.D.

H _____ TOTAL HEIGHT

BT _____ BAIL THICKNESS

BW _____ BAIL WIDTH

BH _____ BAIL HEIGHT

FL _____ FOOT LENGTH

FW _____ FOOT WIDTH

FT _____ FOOT THICKNESS

H _____ TOTAL HEIGHT

Notes: 1. All loads must be centered under the lifting bail.

2. Please verify that the crane hook will fit the lifting bail size.

3. Modifications and other accessories are available upon request.

Additional Specifications:

