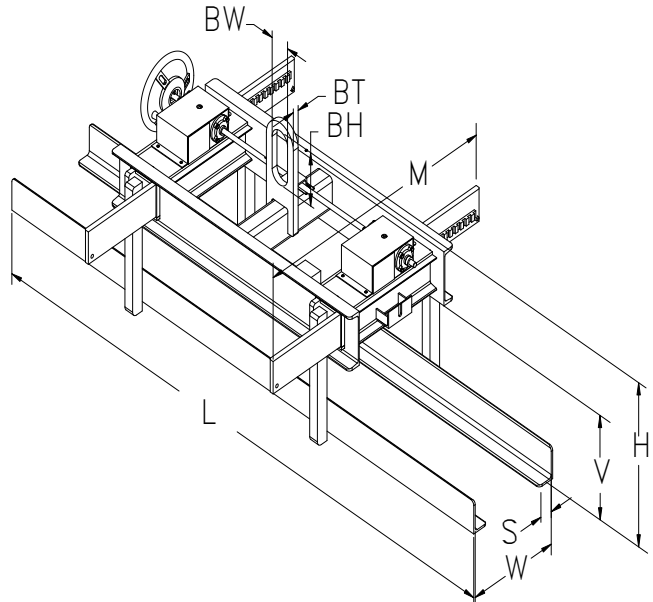


Telescoping Sheet Lifter

- The Telescoping Sheet Lifter can handle single sheets or stacked sheets of metal, palletized loads, crates, and more.
- The heavy duty construction provides years of service and can withstand rugged conditions.
- The drive system consists of worm and bronze worm gear assembly to prevent legs from opening.
- All lifters are proof tested to meet or exceed ANSI/ASME B30.20 standards and test certificate issued. Painted safety yellow and clearly marked on both sides with rated capacity to conform to OSHA standards.



Model Number	Pounds	Inches (See Note #4)							Pounds		
	Capacity (See Note #3)	Bundle Width W		Vertical Clear V	Ball Size (See Note #1 & #2)			Support Width S	Maximum Width in Closed Position M	Total Height H	Approx. Lifter Weight
		Max.	Min.		BT	BW	BH				
BLT06602016-TSL	6000	60	20	16	(3/4 x 1) x 2 x 6			3-1/8	62	36	1055
BLT06722416-TSL		72	24						70		1108
BLT10602016-TSL	10000	60	20	16	(1-1/4 x 1-1/2) 4 x 10			3-1/8	62	40	1094
BLT10722416-TSL		72	24						70		1150
BLT10963616-TSL		96	36					82	5-5/8		1521
BLT20602016-TSL	20000	60	20	16	(1-1/2 x 1-3/4) x 4 x 10			3-1/8	62	40	1254
BLT20722416-TSL		72	24						70		1317
BLT20963616-TSL		96	36					82	5-5/8		1960
BLT30722418-TSL	30000	72	24	18	(2 x 2-1/4) x 6 x 14			5-1/2	62	46	2102
BLT30963618-TSL		96	36						82		2410
BLT40722418-TSL	40000	72	24	18	(2 x 2-3/4) x 6 x 14			5-1/2	70	46	2372
BLT40963618-TSL		96	36						82		2795

- NOTES:**
1. All loads must be centered under the lifting bail.
 2. Please verify that the crane hook will fit the lifting bail size.
 3. Other capacities, sizes, modifications, and accessories are available upon request.
 4. Above dimensions are approximate and may vary based on design.

Copyright 2007